



# Benner-Nawman, Inc.

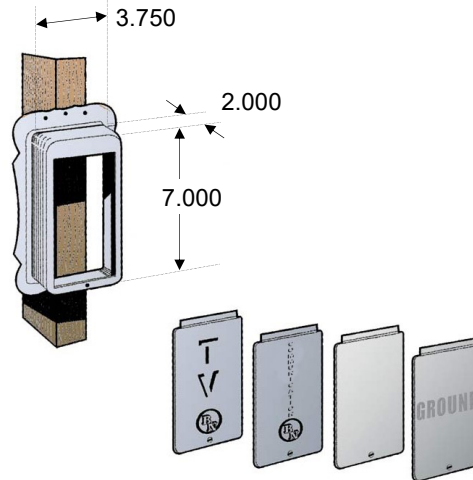
3450 Sabin Brown Road • Wickenburg, AZ 85390

(800) 992-3833 • (928) 684-2813 • [www.bnproducts.com](http://www.bnproducts.com)

## Specification Sheet

Part #  
900, 900TV, 900X, 900G

*This Cabinet Measures:*  
3<sup>3</sup>/<sub>4</sub>" Wide x 7" Tall x 2" Deep



## Features & Info:

- "COMMUNICATION" or "TV" embossed lid, blank lid available
- "GROUND" or "SATELLITE" labels available
- Includes (1) 1/2" KO (for 3/8" conduit) & (1) 7/8" / 1-1/4" double KO (for 3/4" or 1" conduit)
- Open back for easy wiring and access
- Nail or screw to studs on 16" centers
- Made of 24-gauge, galvanized steel
- Lid is secured with a slotted screw
- Ships out 50 units per carton
- Box weight: 8.96 oz.

## Bottom View

